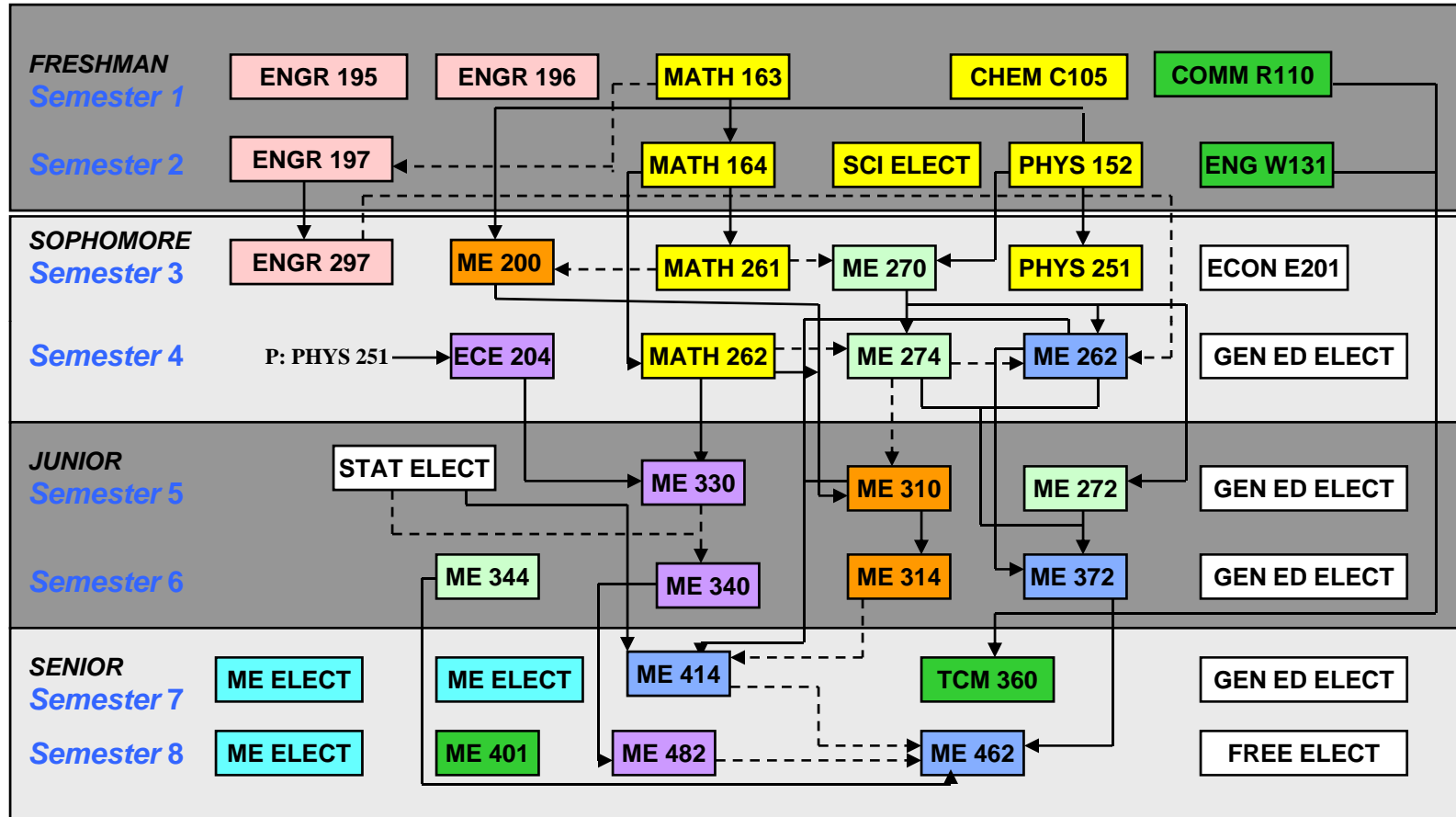


# Bachelor of Science in Mechanical Engineering (BSME)

## Program Map – Effective Fall 2007

- [Click on course for more information](#)
- [Click here to review curriculum changes](#)
- [Click here for printer friendly version](#)



Revised: Fall.  
2007

